

**DEMAND REGULATOR PERFORMANCE**

<b>ANSTI</b>	<b>OCEAN DIVERS</b>	<b>ANSTI</b>
CERTIFICATE REFERENCE	: DTS-03104731	
DATE : 2018/1/29		TIME : 下午 12:16:27

**EQUIPMENT**

REGULATOR TYPE	: Poseidon-4M
SERIAL NUMBER	: RG6-
INTERSTAGE PRESSURE	: 0.00 barg

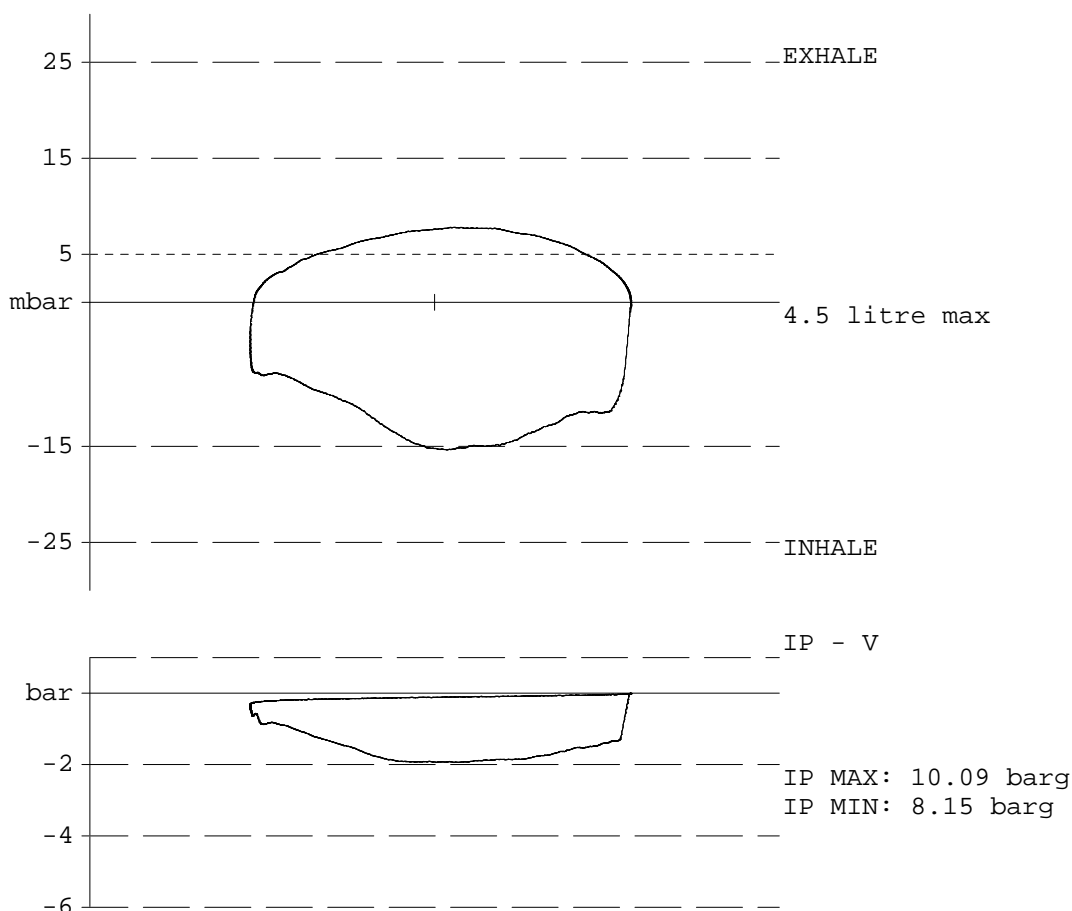
**CONDITIONS OF TEST**

ROOM TEMPERATURE	: 23.0 C	
HP SUPPLY PRESSURE	: 207.6 barg	
TIDAL VOLUME	: 2.50 litre	BREATH RATE : 25.09 bpm
VENTILATION RATE	: 62.7 lpm	

**RESULTS**

INHALE PRESSURE	= 15.36 mbar
INHALE POS PRESSURE	= 0.00 mbar
EXHALE PRESSURE	= 7.80 mbar
EXT WORK OF BREATHING	= 1.76 J/l
INHALE WORK	= 1.18 J/l
POS INHALE WORK	= 0.00 J/l
EXHALE WORK	= 0.57 J/l

**PRESSURE - VOLUME DIAGRAM AT DEPTH OF : 4.1 msw (13.5 fsw)**



**REMARKS :**